

Surface Mount Two Electrode Gas Discharge Tube (GDT)

Part Number: **SDH4-75**



Features:

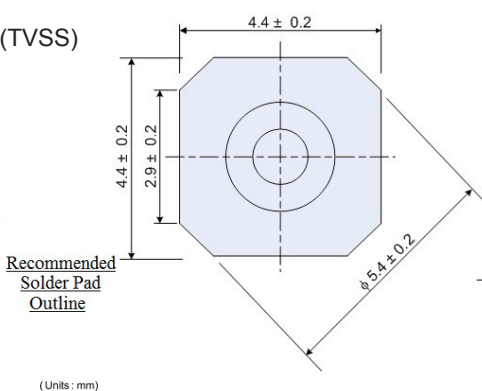
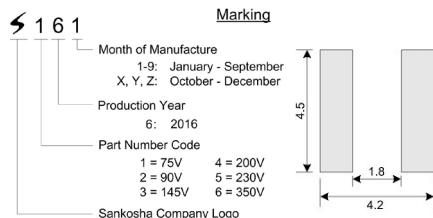
- Small 4.4mm x 3.5mm Footprint
- Surface Mountable
- Low Capacitance
- Bi-Directional
- RoHS and RoHS2 Compliant
- ISO 9001 & ISO 14001 Certified
- UL Recognized (497B File E140906)
- High Current and Multiple Strike Capability
- Non-Radioactive and Maintenance Free
- Protects Against Lightning, Surges, and Over Voltages



Electrical Characteristics	
DC Breakdown Voltage (100 V/sec)	75V ± 20%
Impulse Breakdown Voltage (1 kV/µsec)	≤ 600V
Insulation Resistance (at 50VDC)	≥ 10,000M Ω
Capacitance (at 1MHz)	≤ 0.5pF
DC Holdover Voltage (in accordance to ITU-T K.12)	52V (with current turn-off time of <150ms)
Impulse Life (with 10/1000µsec impulse)	100A (300 times)
Impulse Discharge Current (with 8/20µsec impulse)	5kA (5 times in each polarity)
AC Discharge Current (50Hz, 1 second)	5A (10 times)
After Life Performance (Specs after exceeding Impulse Life, Impulse Discharge Current, or AC Discharge Current conditions)	
DC Breakdown Voltage (100 V/sec)	75V ± 30%
Impulse Breakdown Voltage (1 kV/µsec)	≤ 700V
Insulation Resistance (at 50VDC)	≥ 100M Ω
Mechanical Characteristics	
Number of Electrodes & Electrode Material	Two Electrodes, Tin Plated
Form Factor / Mounting Method	Surface Mount or Clip
Packaging Type	Tape and Reel (1,800 per reel)
Environmental Characteristics	
Operating and Storage Temperature Range	-40°C to +90°C (-40°F to 194°F)
Operating and Storage Humidity	≤ 90% non-condensing

Applications:

- Transient Voltage Surge Suppression (TVSS)
- Cable and Telephone Products
- Routers and Access Points
- Modems/Cable Modems
- Broadband/CATV/Coaxial Protectors



SDH4-Series

