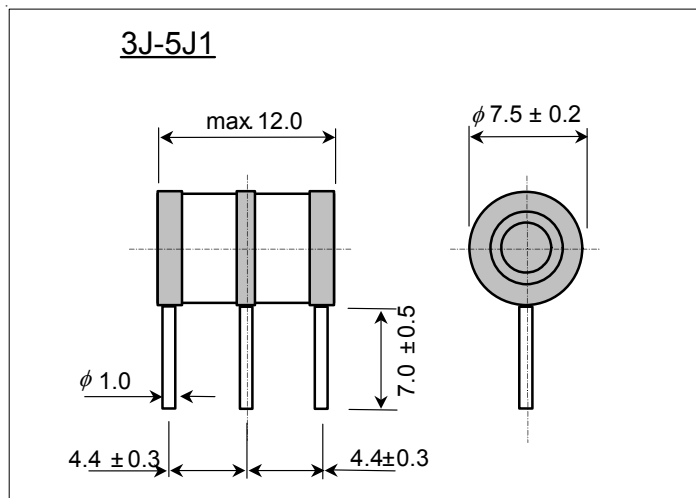


Three Electrode Gas Tube Surge Arrester

Part Number: 3J-5J1



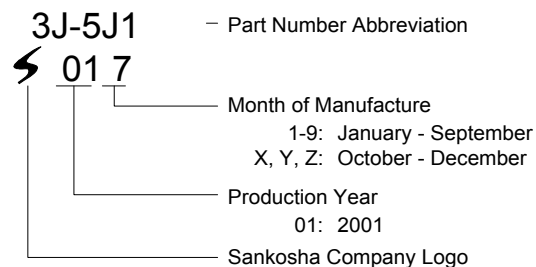
Applications:

- Transient Voltage Surge Suppression
- Telephone Network Interfaces
- Modems/Cable Modems
- xDSL Modems and Peripherals
- Building Entry/Outside Plant

Features:

- UL 497B Recognized
- UL File E140906
- Non-Radioactive
- 100% Lead-Free (RoHS Compliant)
- Durable Construction
- Low Capacitance
- Proven Performance
- ISO 9001 Certified

Marking



Electrical Characteristics

| | | | | | | |
|----|---------------------------|--------------|----------------|---|-----------|-----------|
| 1. | DC Breakdown Voltage | 100 V/sec | 300V ± 20% | (L1-E) (L2-E) | | |
| 2. | Impulse Breakdown Voltage | 100 V/μsec | < 600 V | (L1-E) (L2-E) | | |
| | | 1 kV/μsec | < 750 V | (L1-E) (L2-E) | | |
| 3. | Insulation Resistance | DC 100 V | > 10,000 M-ohm | | | |
| 4. | Capacitance | 1 MHz | < 3.0 pF | | | |
| 5. | DC Holdover Voltage | See Note | < 135V | Note: ITU-T K.12 or IEEE C62.31-1987 Test Circuit | | |
| 6. | Impulse Life | 10/1000 μsec | 400 A | 300 Times | (L1+L2-E) | |
| 7. | Impulse Discharge Current | 8/20 μsec | 20 kA | 1 Time | (L1+L2-E) | |
| | | 8/20 μsec | 10 kA | Each Polarity 5 Times | (L1+L2-E) | |
| 8. | AC Discharge Current | 50 Hz | 130 A | 9 cycles | 1 Time | (L1+L2-E) |
| | | 50 Hz | 10 A | One Second | 10 Times | (L1+L2-E) |

After Life Tests

| | | | | | | |
|-----|---------------------------|------------|------------|--|--|--|
| 9. | DC Breakdown Voltage | 100 V/sec | 300V ± 50% | | | |
| 10. | Impulse Breakdown Voltage | 100 V/μsec | < 900 V | | | |
| 11. | Insulation Resistance | DC 100 V | > 1 M-ohm | | | |

SANKOSHA

SANKOSHA