

Coaxial Surge Protectors (SPD's)

Part Number: **B-JP-8**



Features:

- High reliability protection from surges caused by lightning or other electrical transients
- Meets IEC 61643-21 compliance, Category C2 & D1 Impulse Requirements
- High energy / low capacitance GDT technology
- High durability and RoHS Compliant
- Low insertion loss
- High frequency and bidirectional



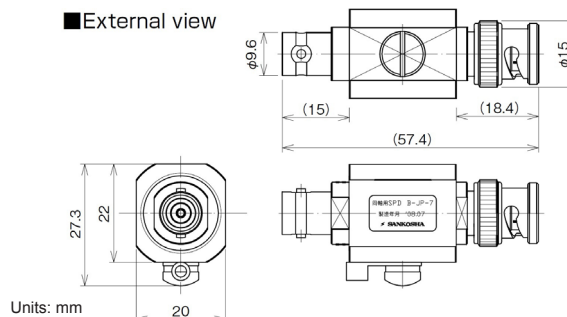
100% Lead-Free (RoHS Compliant)

Electrical Characteristics	
Frequency Range	DC - 400MHz
DC Breakdown (Turn-On) (100V/s)	≥ 180V
Voltage Protection Level - U _p (Impulse Breakdown V)	≤ 1500V
Technology Type	Gas Discharge Tube (GDT)
Insertion Loss	< 0.2dB
Return Loss	≥ 14dB
VSWR	< 1.2:1
Maximum Power	50W
Maximum Current - Category C2 (8/20 us)	20kA (10 times), 25kA (1 time)
Maximum Current - Category D1 (10/350 us)	2.5kA (2 time)
Impedance	75 Ω
Insulation Resistance (at 100V _{DC})	≥ 100M Ω
Mechanical Characteristics	
Connector Type	BNC Type (P-J)
Connection Method	Series (Bidirectional)
Grounding	Screw
Weight	74g (2.61oz)
Environmental Characteristics	
Operating Temperature Range	-40°C to +70°C (-40°F to 158°F)
Maximum Operating Altitude	2000m (6562ft)
Relative Humidity	≤ 90%

Applications:

- Monitoring Cameras
- Security Systems
- Baseband Video (SDI/HD-SDI)
- Video Transmission and Receiving
- High Frequency Coaxial Lines using BNC-type Connectors

■ External view



SANKOSHA

SANKOSHA